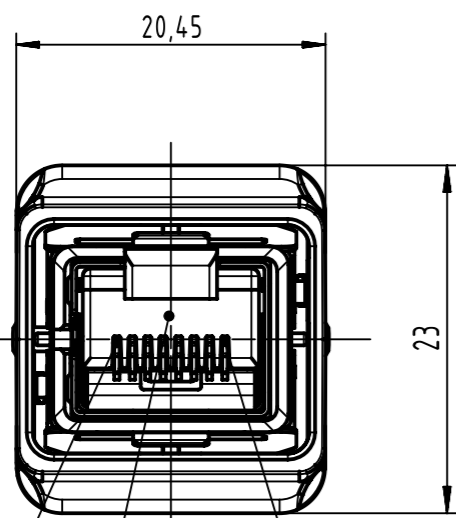
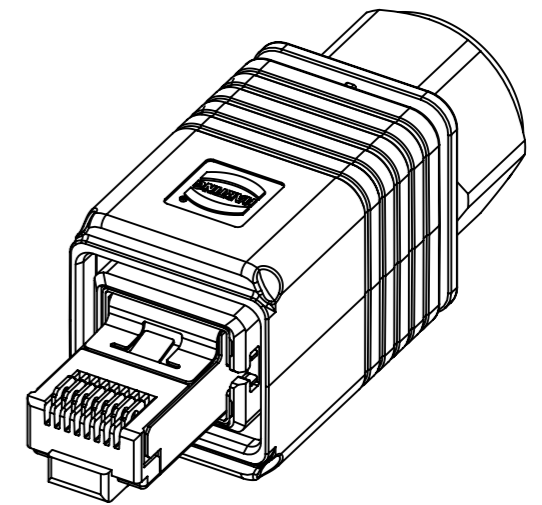
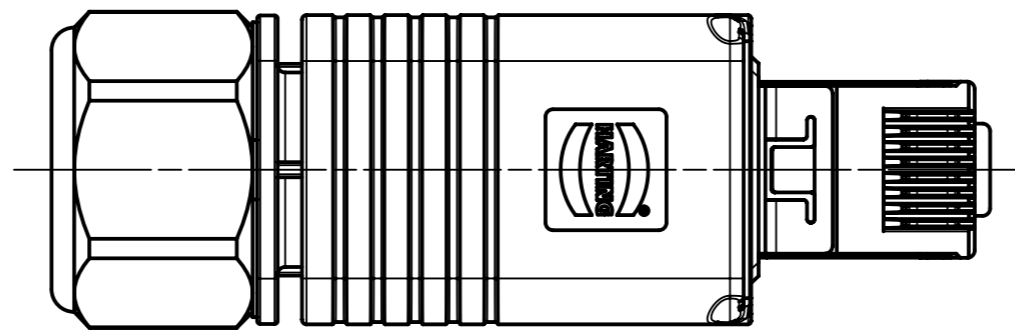
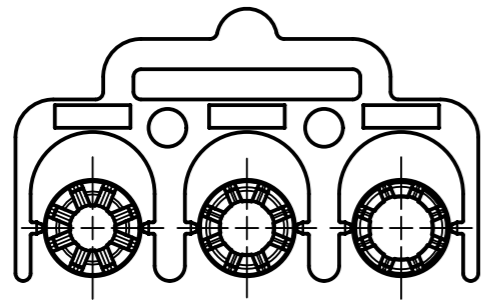


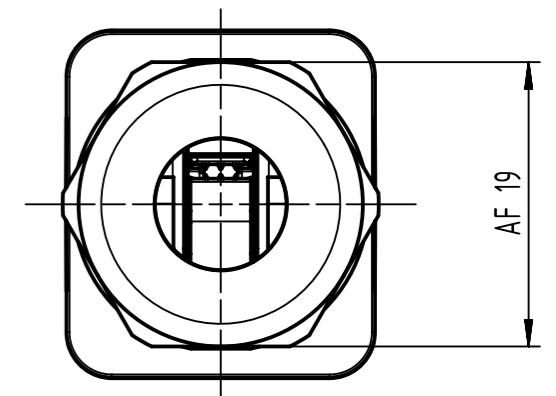
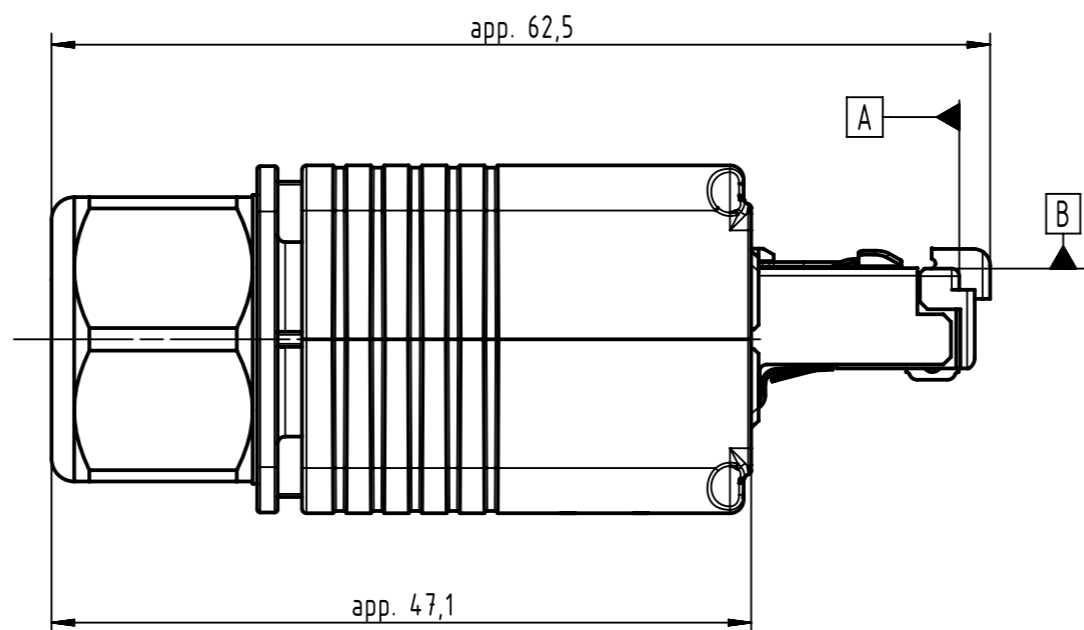
sealings (1:1)




contact 1

contact 8

mating face  
acc. to  
IEC 60603-7



further information see product data sheet

	All rights reserved Department EL PD	All Dimensions in mm Original Size DIN A3		Scale 2:1	Free size tol.	Ref. Sub.
		Created by SERBANA	Inspected by PREOTU	Standardisation RUETERA	Date 2022-08-01	State Final Release
HARTING D-32339 Espelkamp		Title HPP V4 RJ45 plug metal GL Cat.6A 8-pole			Doc-Key / ECM-Nr. 100515099/UGD/001/E 500000222051	
		Type TB	Number 09451951520		Rev. E	Page 1/1